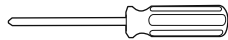




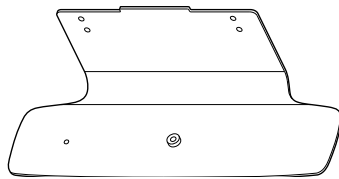
QUICK START

POLY STUDIO X70 STAND

TOOLS

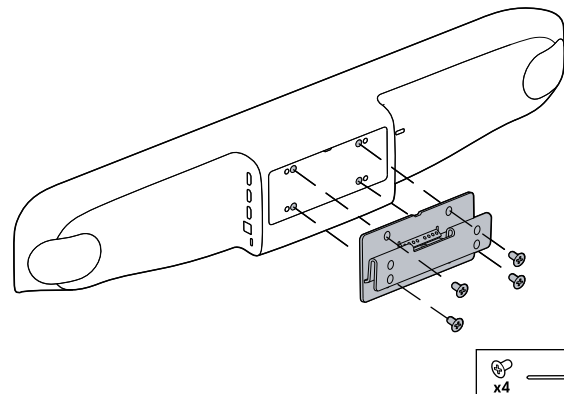


CONTENTS

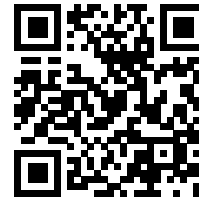


(4) M4 × 8 mm
Flat Head Screw

1



www.poly.com/support/studio-x70



© 2021 Plantronics, Inc. All rights reserved. Poly, the propeller design, and the Poly logo are trademarks of Plantronics, Inc. All other trademarks are the property of their respective owners. Manufactured by Plantronics, Inc.

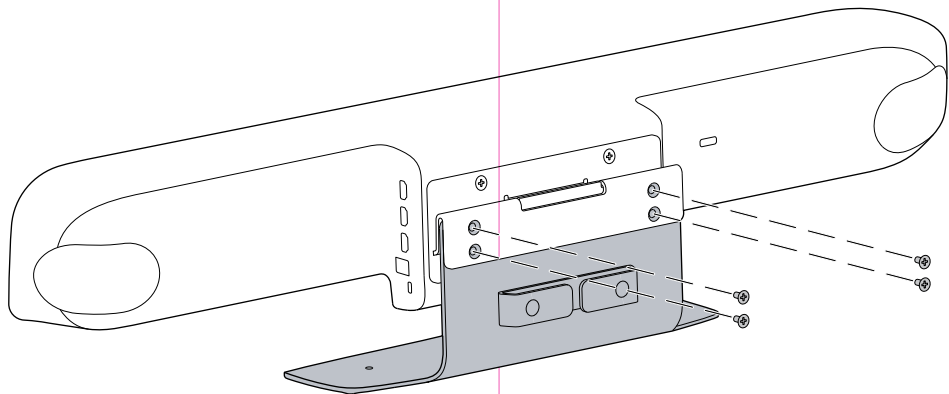


Recyclable where facilities exist

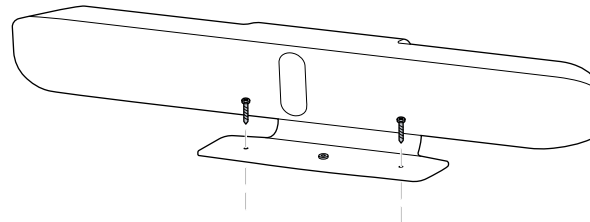


1725-87465-001B 09.21

2



OPTIONAL



OPTIONAL

