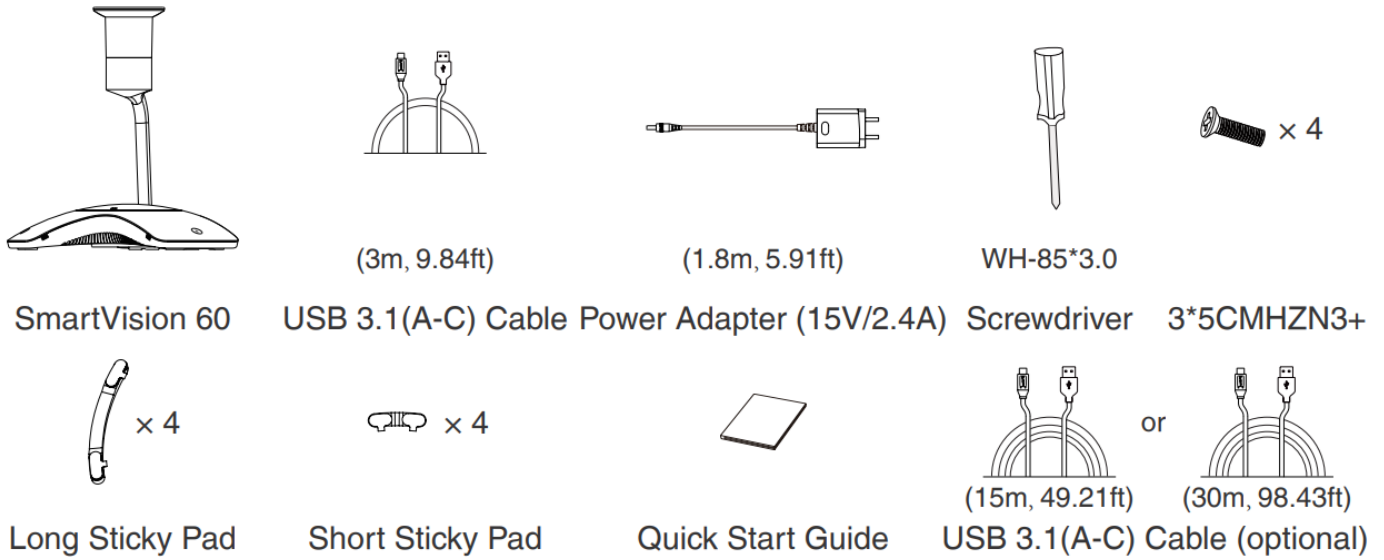


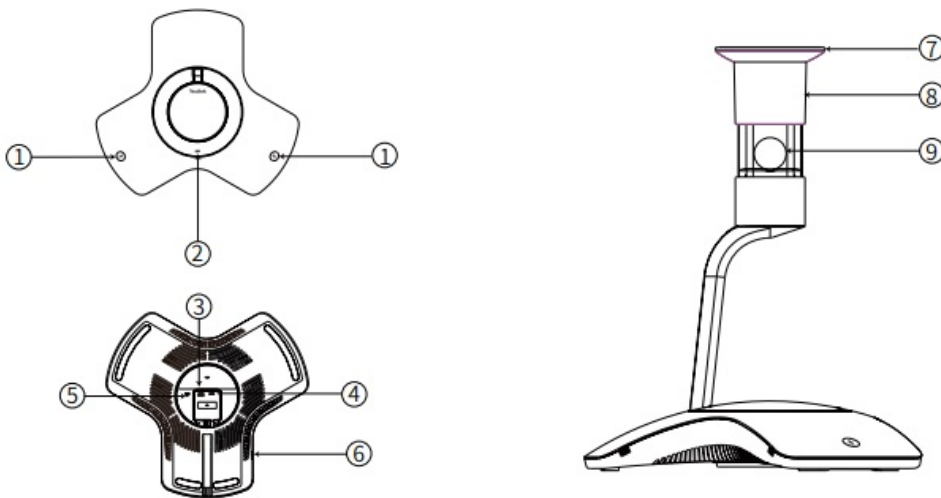
SmartVision 60 Installation

Package Contents



NOTE
 We recommend that you use the accessories provided or approved by Yealink.
 The use of unapproved third-party accessories may result in poor performance

Hardware Introduction



NO.	Name	Description
-----	------	-------------

1	Mute Button & Mute LED Indicator	Touch to mute or unmute.
2	Camera Button & Camera LED Indicator	Touch to turn the camera on or off.
3	DC15 V	Connect to the power adapter.
4	USB-C Port	Connect to the MCore Pro.
5	Reset Button	Reset to factory defaults.
6	Security Slot	Connect a universal security cable to the SmartVision 60 so that you can lock it down.
7	Circular LED Indicator	Indicate the device status and Cortana status.
8	Privacy Cap	Automatically cover the camera when it is turned off.
9	Camera	Camera.

LED Indicator

Mute LED indicator

LED Status	Description
Off	The device is powered off. The device is idle.
Solid green	Unmuted in the meeting.
Flash green	Incoming call/meeting.
Solid red	Muted in the meeting.
Flash red	The device is entering recovery mode for firmware upgrade.
Solid orange	The device is starting up.
Flash orange	The firmware is updating.

Camera LED indicator

LED Status	Description
Off	The device is powered off. The device is idle. The camera privacy cover is closed.
Solid purple	The camera privacy cover is open In the meeting.

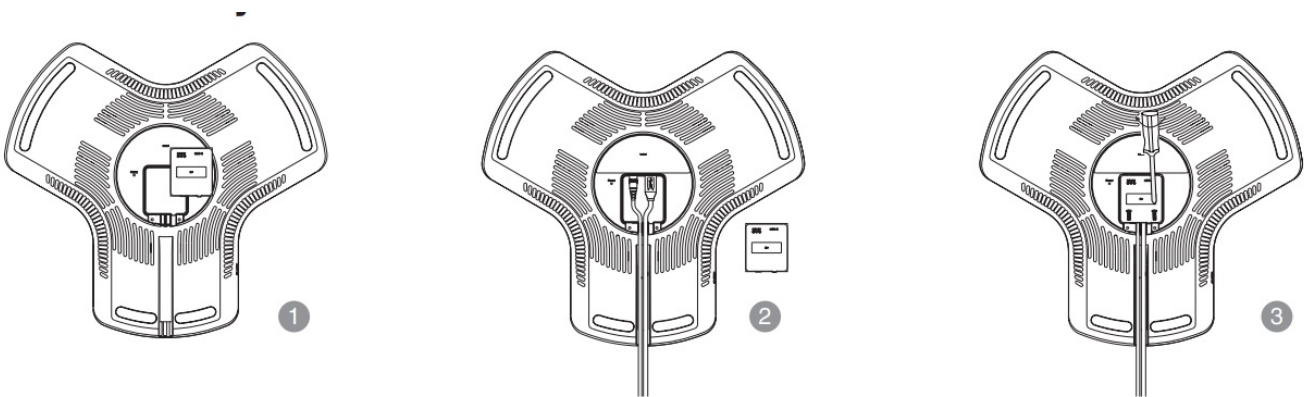
Circular LED indicator

LED Status	Description
------------	-------------

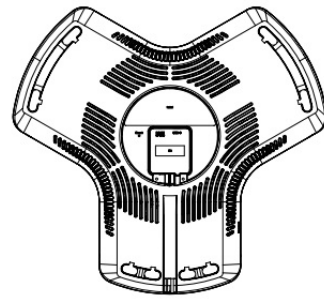
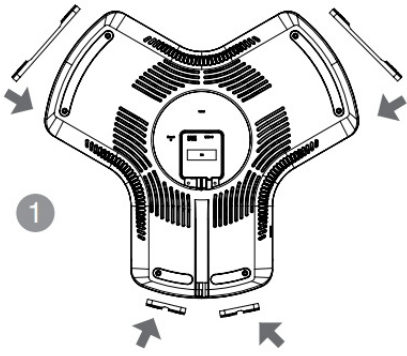
Off	The device is powered off.
Solid white	The device is idle.
White breathing light	Cortana Listening status.
Half of the LED flashes, with the first segment in blue and the second segment in white	Cortana Thinking status.
Blue and white breathing light flash alternately	Cortana Response status.

Installation

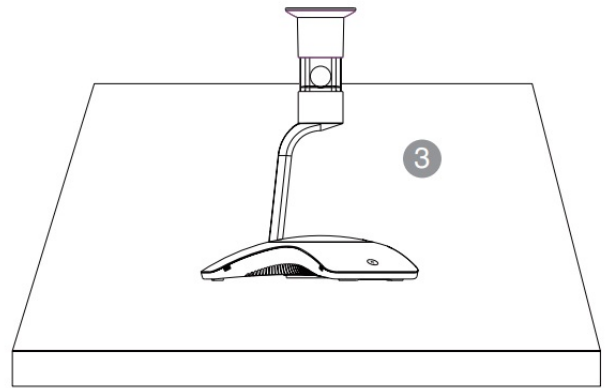
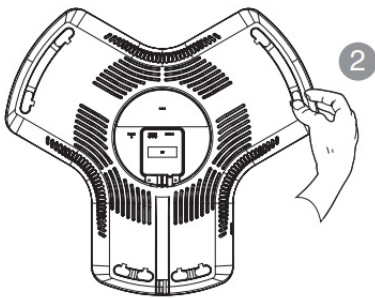
Assemble your SmartVision 60



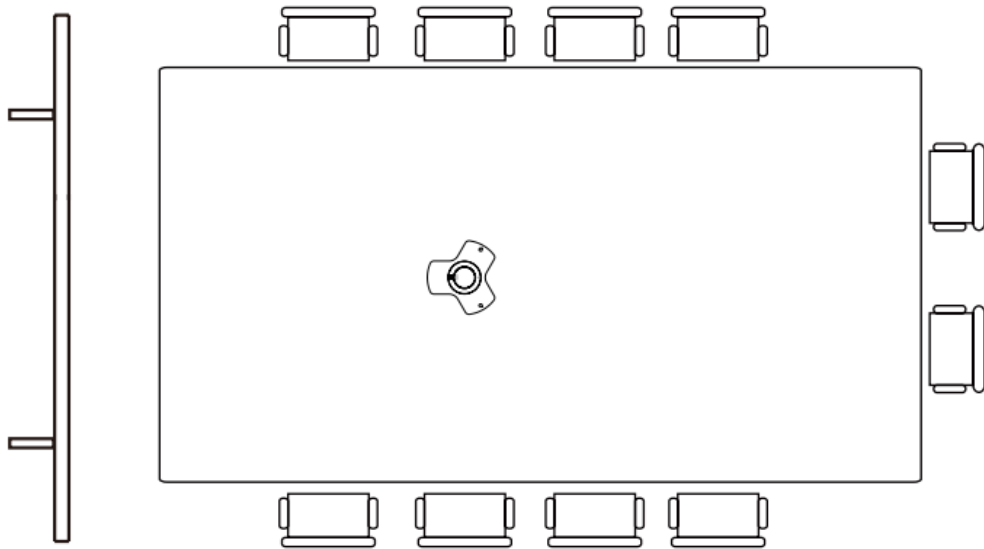
Paste on a table



i Pay attention to the front and back of the sticker.



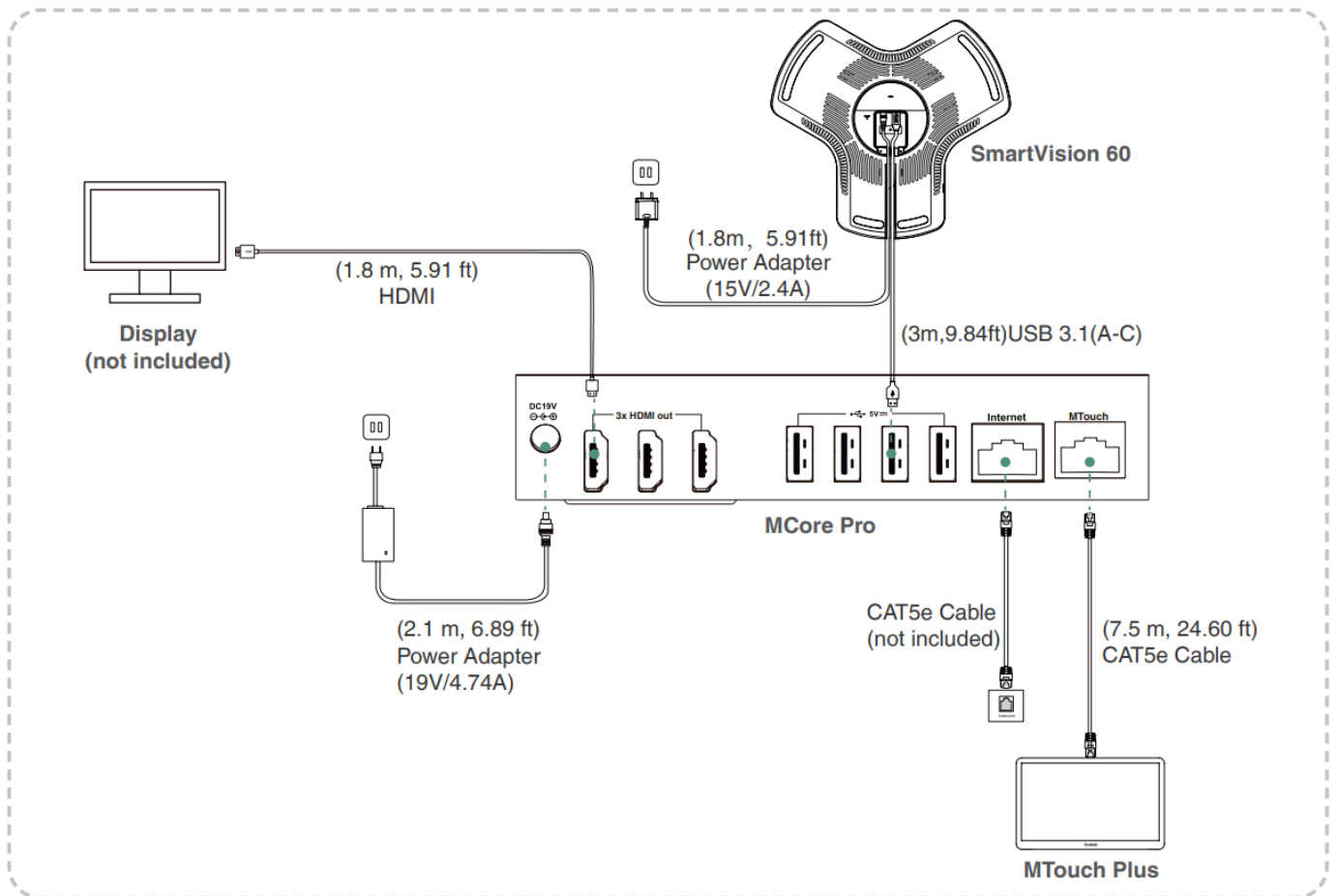
Place SmartVision 60 in a Meeting Room



NOTE

It is recommended that you can deploy the SmartVision 60 at about 1/3 of the front of the conference table. The distance between the SmartVision 60 and the seats should be around 3.5~4 meters for optimal audio and video effects.

Connection



NOTE

Not included accessories requirements:

- Display: Resolution of 1080p or higher and with an HDMI port.
- Ethernet cable: CAT5e or higher ethernet cable.