



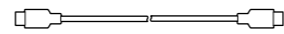
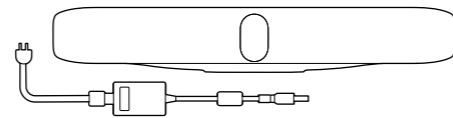
# QUICK START

**POLY STUDIO X70  
WITH WALL MOUNT**



[poly.com/support/studio-x70](http://poly.com/support/studio-x70)

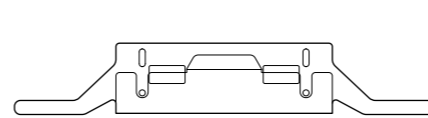
## CONTENTS



(2) HDMI 1.83 m (6 ft)

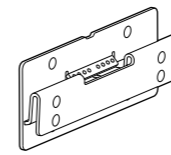


LAN 4.57 m (15 ft)

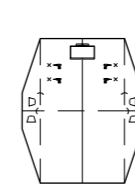


(4) #8 × 7/8"  
Plastic Anchor

(4) #8 × 1"  
Screw



(4) M4 × 8  
Screw



Template



[poly.com/support/studio-x70](http://poly.com/support/studio-x70)



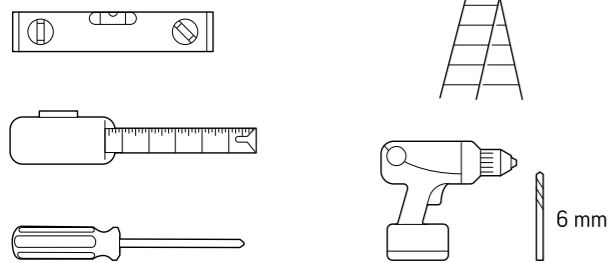
Recyclable where facilities exist

© 2023 Poly. All trademarks are the property of their respective owners.

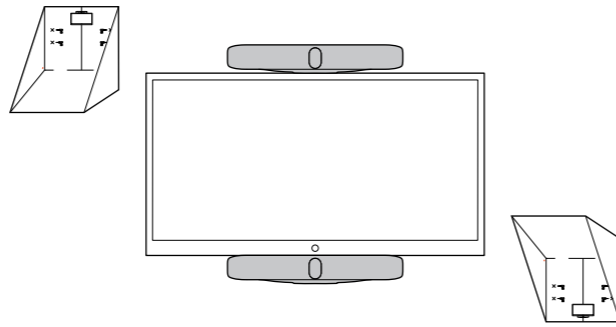


1725-87373-001E 04.23  
RMN: P026; P026NR

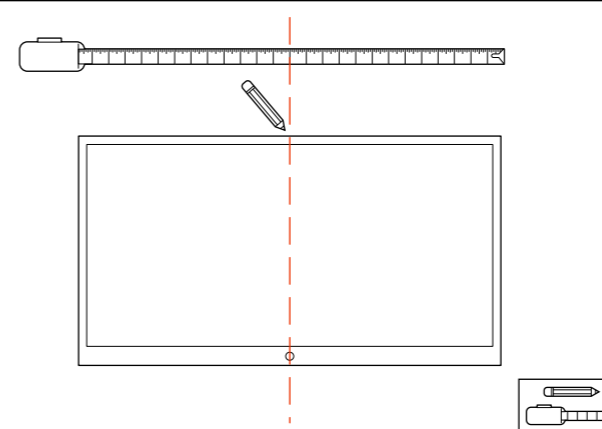
## TOOLS



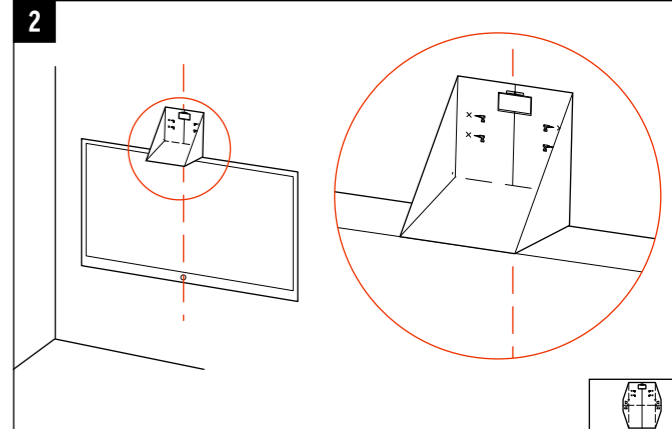
## MOUNTING OPTIONS



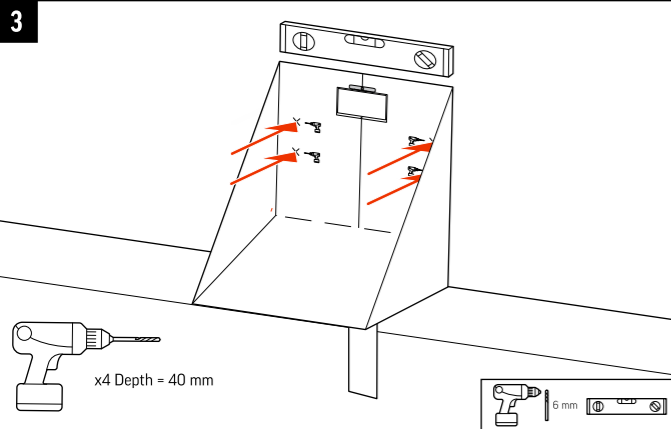
1



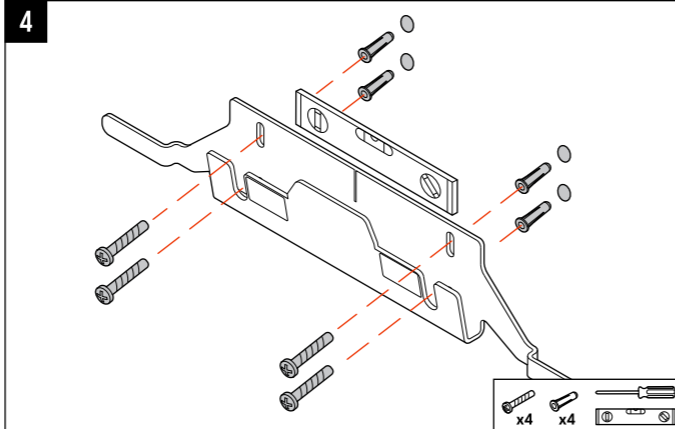
2



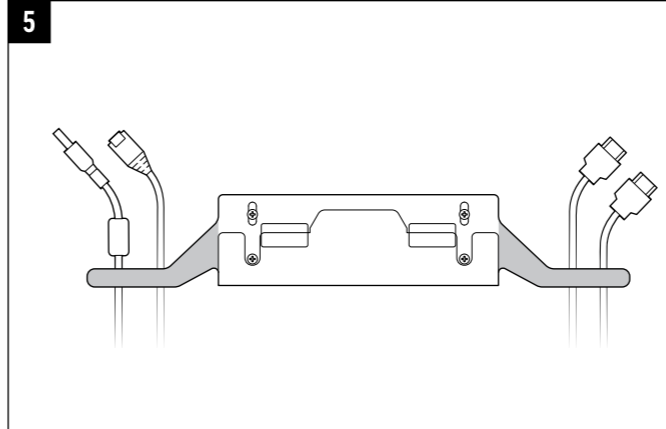
3



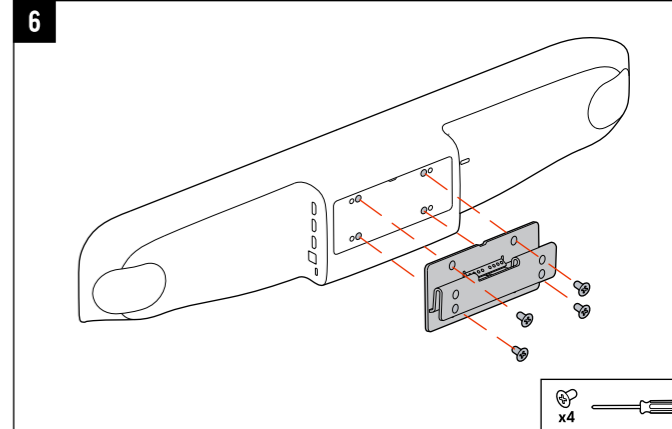
4



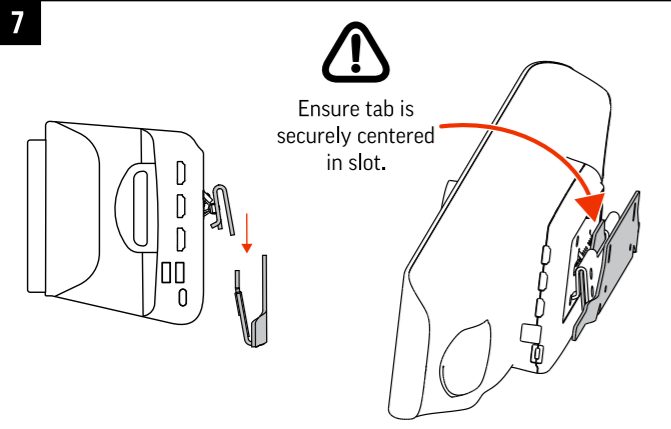
5



6

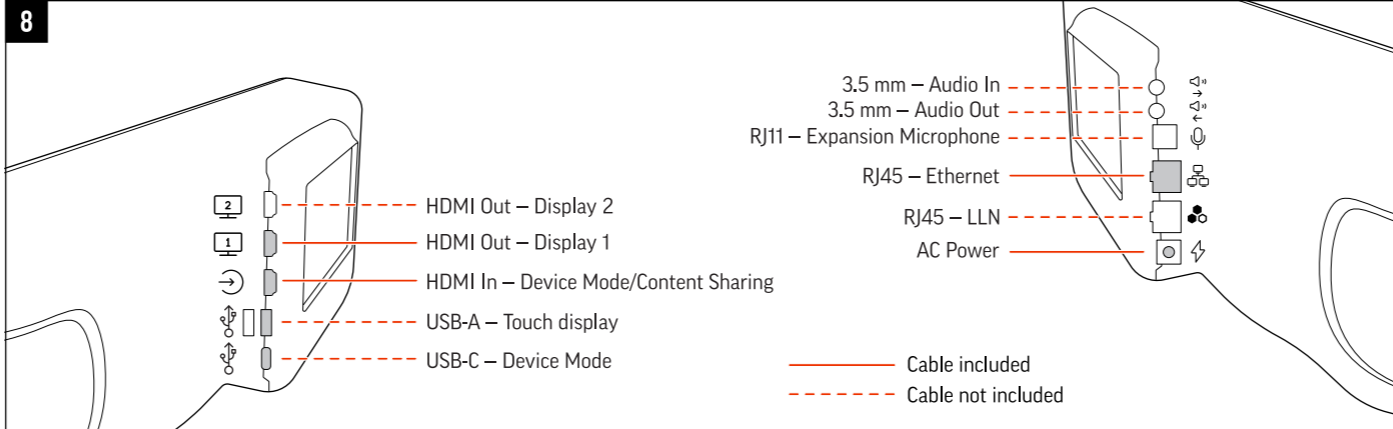


7



Ensure tab is securely centered in slot.

8



- HDMI Out – Display 2
- HDMI Out – Display 1
- HDMI In – Device Mode/Content Sharing
- USB-A – Touch display
- USB-C – Device Mode

- 3.5 mm – Audio In
- 3.5 mm – Audio Out
- RJ11 – Expansion Microphone
- RJ45 – Ethernet
- RJ45 – LLN
- AC Power

— Cable included  
- - - Cable not included

9

